

AXIS P14 Network Camera Series

Compact and cost-effective surveillance for any environment



- > Wide range of models
- > 4K Ultra HD
- > Ease of installation
- > OptimizedIR technology
- > Outdoor-ready

AXIS P14 Network Cameras constitute a series of outdoor-ready bullet-style cameras. These cameras are ideal for 24/7 video surveillance, in exposed outdoor areas such as parking lots, service-stations and for general indoor surveillance purposes where a compact camera is needed.

AXIS P14 Series offers models with exceptional image quality from 1080p resolution up to 4K Ultra HD. The cameras support P-Iris control for optimal image clarity and includes integrated features for efficient and reliable video surveillance such as built-in IR, remote zoom and focus, a built-in slot for microSD/SDHC/SDXC memory cards and I/O connectors for interfacing with external devices.

AXIS P1428-E is a 4K Ultra HD/8.3MP model with a resolution of 3840x2160. The camera can cover a large area with exceptional detail sensitivity in 30 fps providing new possibilities for high quality identification.

AXIS P1405-LE, AXIS P1425-LE and AXIS P1427-LE incorporate new long-life LED technology that is highly power-efficient. AXIS P1425-LE and AXIS P1427-LE offer OptimizedIR providing best possible illumination angle, intensity and exposure to capture the scene.

All AXIS P14 cameras support PoE and comes with integrated bracket for wall or ceiling mount and the remote zoom and focus capability eliminates hands-on lens adjustment.

All cameras operate in a wide temperature range and the weatherproof IP66 and UV-resistant polymer casing is fitted with an adjustable weather shield to protect the camera from rain, snow and direct sunlight.



AXIS P14 Network Camera Series

AXIS P14 Network Cameras are compact with integrated features for cost-effective and reliable 24/7 surveillance – the perfect choice for a wide range of applications.

Outdoor-ready design for any environment

AXIS P14 Series brings a versatile line-up of outdoor-ready IP cameras for use in nearly any environment from parking lots and city squares to malls and offices. The series features cameras with built-in IR illumination and OptimizedIR, memory card storage, I/O connectors and H.264 Main Profile.



Ease of installation

AXIS P14 Series Cameras are equipped with a compact, IP66 rated, low-weight casing and integrated bracket for wall or ceiling mount. To further simplify installation, a wide range of mounting accessories such as pole and corner mounts are available. AXIS P14 Series Network Cameras offer easy installation with remote zoom and focus for fine tuning of the picture from a computer as opposed to at the camera itself. Furthermore, the pixel counter assures that the required pixel resolution is met.

OptimizedIR

When the field of view is adjusted at the installation of a AXIS P14 camera with remote zoom and OptimizedIR, the angle of illumination automatically adapts to the zoom level. The illumination angle follows the camera's zoom movements to always provide the maximum amount of light in the image.



As light diminishes below a certain level, the cameras can automatically switch to night mode to deliver quality images in dark environments.

P-Iris control

AXIS P14 Series features the advanced precise iris control that comprises a special P-Iris lens, together with dedicated software algorithms in the camera, to set the best iris position for optimal depth of field, resolution, image contrast and clarity. Good depth of field implies that objects at different distances from the camera are in focus simultaneously.

For more on P-Iris and iris control, go to:
www.axis.com/corporate/corp/tech_papers.htm

4K Surveillance for exceptional details

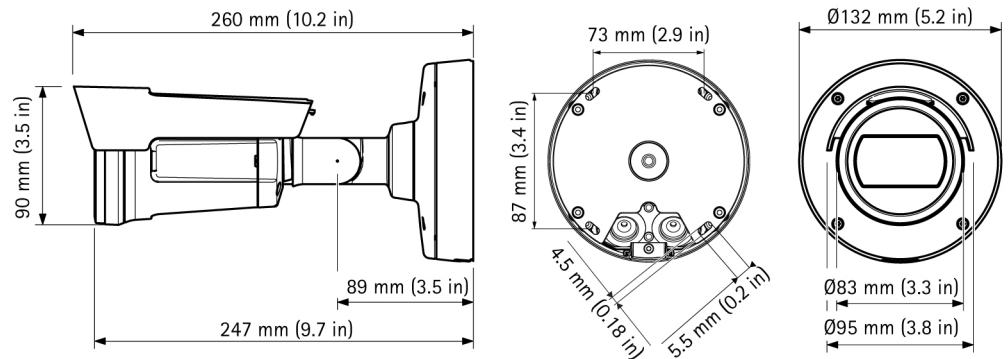
AXIS P1428-E provides 8.3MP/4K Ultra HD resolution @30 fps. When using a standard HDTV monitor or a 4K monitor, the high resolution will improve the possibilities to magnify any part of the scene to pull crisp forensic video from large areas. The support for AXIS Digital Autotracking makes it possible to cover large areas with one single camera. The application automatically detects, zooms in on and follows moving objects. This facilitates live monitoring by helping the operator to effectively discover and handle incidents.



Adapted to monitoring of narrow areas

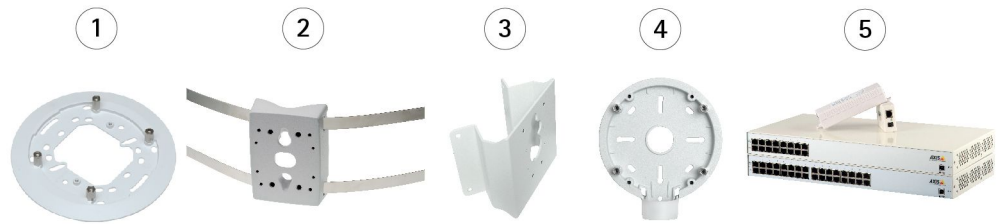
All cameras in the AXIS P14 Series include Axis' Corridor format, except for AXIS P1428-E. Axis' Corridor format allows you to get a vertically oriented, "portrait"-shaped video stream from the camera. The video is adapted perfectly to the monitored area, maximizing image quality while eliminating bandwidth and storage waste. Just the right feature for narrow corridors, hallways or aisles.

Dimensions



Accessories

1. AXIS T94F01M J-Box/Gang plate
2. AXIS T91A47 Pole Mount (requires AXIS T94F01S Mounting Bracket)
3. AXIS T94P01B Corner Bracket (requires AXIS T94F01M J-Box/Gang plate)
4. AXIS T94F01P Conduit Back Box
5. Axis PoE Midspans



Technical Specifications - AXIS P14 Network Camera Series

Models	AXIS P1405-E: 2 MP/HDTV 1080p AXIS P1405-LE: 2 MP/HDTV 1080p, Built-in IR AXIS P1425-E: 2 MP/HDTV 1080p AXIS P1425-LE: 2 MP/HDTV 1080p, OptimizedIR AXIS P1427-E: 5 MP AXIS P1427-LE: 5 MP, OptimizedIR AXIS P1428-E: 8.3 MP/4K Ultra HD
Camera	
Image sensor	AXIS P1405-E/-LE: 1/2.8" progressive scan CMOS AXIS P1425-E/-LE: 1/2.8" progressive scan CMOS AXIS P1427-E/-LE: 1/3.2" progressive scan CMOS AXIS P1428-E: 1/2.5" progressive scan CMOS
Lens	Varifocal, Remote focus and zoom, P-Iris control, IR corrected, Megapixel resolution AXIS P1405-E/-LE: f=2.8-10 mm: 34° - 93° view ^a , F1.6, Autofocus, Automatic day/night AXIS P1425-E/-LE: f=3-10.5 mm: 33° - 92° view ^a , F1.4, Autofocus, Automatic day/night AXIS P1427-E/-LE: f=2.8-9.8 mm: 27° - 92° view ^a , F1.6, Autofocus, Automatic day/night AXIS P1428-E: f=3.3-9.8 mm: 35° - 109° view ^a , F1.6, Autofocus, Automatic day/night
Minimum illumination	AXIS P1405-E/-LE: Color: 0.35 lux at F1.6, B/W: 0.07 lux at F1.6 AXIS P1425-E/-LE: Color: 0.25 lux at F1.4, B/W: 0.05 lux at F1.4 AXIS P1427-E/-LE: Color: 0.35 lux at F1.6, B/W: 0.07 lux at F1.6 AXIS P1428-E: Color: 1.4 lux at F1.6, B/W: 0.3 lux at F1.6
Shutter time	1/37000 s to 2 s (50 Hz), 1/37000 s to 2 s (50 Hz) AXIS P1428-E: 1/28000 s to 2 s (50 Hz), 1/28000 s to 2 s (50 Hz)

Video	
Video compression	H.264 Main and Baseline profiles (MPEG-4 Part 10/AVC), Motion JPEG AXIS P1428-E: H.264 High, Main and Baseline profiles (MPEG-4 Part 10/AVC), Motion JPEG
Resolutions	AXIS P1405-E/-LE: 1920x1080 HDTV 1080p to 320x240 AXIS P1425-E/-LE: 1920x1080 HDTV 1080p to 320x240 AXIS P1427-E/-LE: 2592x1944 HDTV 1080p to 320x240 AXIS P1428-E: 3840x2160 4K UltraHD to 320x240
Frame rate	AXIS P1405-E/-LE, AXIS P1425-E/-LE, AXIS P1428-E: H.264: Up to 25/30 fps (50/60 Hz) in all resolutions Motion JPEG: Up to 25/30 fps (50/60 Hz) in all resolutions AXIS P1427-E/-LE: Resolutions up to 1920x1080 HDTV 1080p and 1600x1200: H.264: Up to 25/30 fps (50/60 Hz) Motion JPEG: Up to 25/30 fps (50/60 Hz) 3 MP capture mode: H.264: Up to 16/20 fps (50/60 Hz) Motion JPEG: Up to 25/30 fps (50/60 Hz) 5 MP capture mode: H.264: Up to 12,5/12 fps (50/60 Hz) Motion JPEG: Up to 12,5/12 fps (50/60 Hz)
Video streaming	Multiple, individually configurable streams in H.264 and Motion JPEG, Controllable frame rate and bandwidth, VBR/CBR H.264
Image settings	Wide Dynamic Range-dynamic contrast, Manual shutter time, Compression, Color, Brightness, Sharpness, White balance, Exposure control, Exposure zones, Backlight compensation, Fine tuning of behavior at low light, Text and image overlay, Privacy masks AXIS P1405-E/-LE, AXIS P1425-E/-LE, AXIS P1427-E/-LE: Rotation: 0°, 90°, 180°, 270°, including Corridor Format AXIS P1428-E: Rotation: 0°, 180°
Pan/Tilt/Zoom	Digital PTZ, Remote optical zoom 3.5x at installation AXIS P1428-E: Digital PTZ, Remote optical zoom 3x at installation

Network	
Security	Password protection, IP address filtering, HTTPS ^b encryption, IEEE 802.1X ^b network access control, Digest authentication, User access log
Supported protocols	IPv4/v6, HTTP, HTTPS ^b , SSL/TLS ^b , QoS Layer 3 DiffServ, FTP, CIFS/SMB, SMTP, Bonjour, UPnP™, SNMPv1/v2c/v3 (MIB-II), DNS, DynDNS, NTP, RTSP, RTP, TCP, UDP, IGMP, RTPC, ICMP, DHCP, ARP, SOCKS
System integration	
Application Programming Interface	Open API for software integration, including VAPIX® and AXIS Camera Application Platform, specifications at www.axis.com AXIS Video Hosting System (AVHS) with One-Click Camera Connection. ONVIF Profile S, specification available at www.onvif.org
Intelligent video	Video motion detection, Support for AXIS Camera Application Platform enabling installation of additional applications
Event triggers	Detectors: Day/Night Mode, Live Stream Accessed Tampering Hardware: Network, Temperature Input Signal: Manual Trigger, Virtual Inputs Storage: Disruption, Recording System: System Ready Time: Use Schedule, Recurrences
Event actions	File upload via FTP, HTTP and email Notification via email, HTTP and TCP Video recording to edge storage, day/night mode 40 MB Pre- and post-alarm video buffering
Built-in installation aids	Pixel counter
Data streaming	Event data
General	
Casing	IP66- and NEMA 4X-rated casing (polyester polycarbonate blend)
Memory	AXIS P1405-E/-LE, AXIS P1425-E/-LE: 256 MB RAM, 128 MB Flash AXIS P1427-E/-LE: 512 MB RAM, 128 MB Flash AXIS P1428-E: 1024 MB RAM, 256 MB Flash
Power	Power over Ethernet IEEE 802.3af/802.3at Type 1 Class 3 AXIS P1405-E: max 3.7 W AXIS P1405-LE: max 11.2 W AXIS P1425-E/-LE: max 11.2 W AXIS P1427-E/-LE: max 12.8 W AXIS P1428-E: max 12.9 W
Connectors	RJ-45 for 10BASE-T/100BASE-TX PoE AXIS P1425-E/-LE, AXIS P1427-E/-LE, AXIS P1428-E: 1 alarm input and 1 output

IR illumination	AXIS P1405-LE: Built-in IR, highly efficient LEDs Range up to 10 m (33 ft) AXIS P1425-LE/AXIS P1427-LE: Optimized IR, highly efficient LEDs with adjustable intensity and angle of illumination. Range up to 15 m (50 ft)
Edge storage	Supports microSD cards with up to 64 GB of storage. For best recording performance, use a microSDHC or microSDXC card with speed class 10 (card not included) Support for recording to dedicated network-attached storage (NAS)
Operating conditions	AXIS P1405-E/-LE: -10 °C to 50 °C (14 °F to 122 °F) AXIS P1425-E/-LE, AXIS P1427-E/-LE, AXIS P1428-E: -30 °C to 50 °C (-22 °F to 122 °F) Humidity 10–100% RH (condensing)
Approvals	EN 61000-3-2, EN 61000-3-3, EN 61000-6-1, EN 61000-6-2, EN 55024, FCC Part 15 Subpart B Class A, ICES-003 Class A, VCCI Class A, C-tick AS/NZS CISPR 22 Class A, KCC KN22 Class B, KN24, IEC/EN/UL 60950-1, IEC/EN/UL 60950-22, IEC/EN 60529 IP66, NEMA 250 type 4x, IEC 60721-3-4 Class 4M3, IEC 60721-4-4 Class 4K1, IEC 60068-2 AXIS P1405-E, AXIS P1428-E: EN 55022 Class B AXIS P1405-LE, AXIS P1425-E/-LE, AXIS P1427-E/-LE: EN 55022 Class A
Weight	With weather shield: AXIS P1405-E: 776 g (1.71 lb) AXIS P1405-LE: 787 g (1.73 lb) AXIS P1425-E: 796 g (1.75 lb) AXIS P1425-LE: 788 g (1.74 lb) AXIS P1427-E: 862 g (1.90 lb) AXIS P1427-LE: 871 g (1.92 lb) AXIS P1428-E: 854 g (1.88 lb)
Included accessories	Mounting bracket, Weather shield, Drill template, Installation Guide, Installation and Management Software CD, Windows decoder 1-user license
Video management software	AXIS Camera Companion (software included on CD) – Basic surveillance for small businesses, where video is recorded to edge storage AXIS Camera Station (sold separately) – Fully featured surveillance for medium-sized installations, where video is recorded on a system server. For more information and software applications from partners, see www.axis.com/products/video/software/
Warranty	Axis 3-year warranty and AXIS Extended Warranty option, see www.axis.com/warranty

- a. *Horizontal Angle of View*
b. *This product includes software developed by the OpenSSL Project for use in the OpenSSL Toolkit (<http://www.openssl.org/>), and cryptographic software written by Eric Young (eyay@cryptsoft.com).*

More information is available at www.axis.com